

Canon



キヤノン
フィルムチェンバー

FN-100

ニュー・キヤノンF-1用
使用説明書

**Canon
Film Chamber FN-100**

for the new Canon F-1
INSTRUCTIONS

Canon Dos-magasin FN-100

pour le nouveau Canon F-1
NOTICE D'EMPLOI

**Canon
Großraummagazin
FN-100**

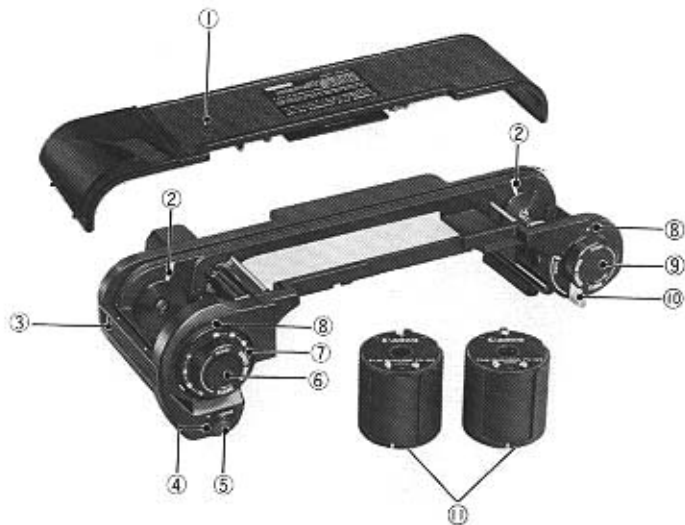
für die neue Canon F-1
BEDIENUNGSANLEITUNG

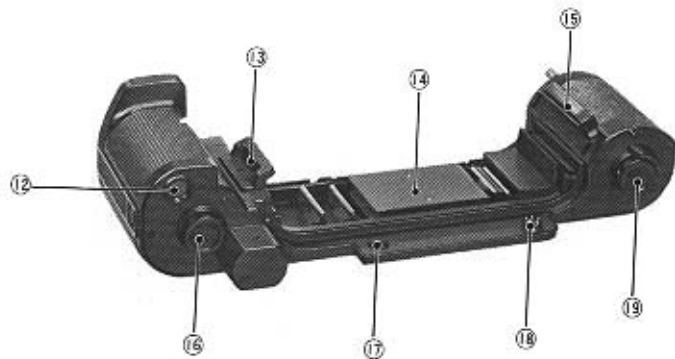
**Canon Almacén
de película FN-100**

para la nueva Canon F-1
INSTRUCCIONES

Canon Film Chamber FN-100

The Film Chamber FN-100 is one of the system accessories designed for the New Canon F-1. Used in conjunction, the AE Motor Drive FN and film chamber provide continuous or single-frame shooting capability of up to 100 frames, as well as shutter-priority AE. Yet it is sufficiently light and compact to afford hand-held shooting, making it ideal for sports, documentary and action photography where utmost mobility is desired. A special grip on the film chamber and four shutter buttons ensure maximum ease of handling.





1. Back Cover
2. White Index
3. Release Latch
4. Shutter Release Lock Lever
5. Shutter Button
6. OPEN/CLOSE Knob (take-up side)
7. Frame Counter
8. White Index
9. OPEN/CLOSE Knob (supply side)
10. Clamp Lever
11. Film Magazine FN-100
12. Socket for Motor Drive Contact Cap
13. Fixed Clamp
14. Pressure Plate
15. Movable Clamp
16. Magazine Attachment Knob (take-up side)
17. Motor Drive Counter Reset Pin
18. Motor Drive Contacts
19. Magazine Attachment Knob (supply side)

Specifications

Compatible with: New Canon F-1

Type: Bulk film chamber for use in conjunction with AE Motor Drive FN.

Attachment: By exchange with camera back.

Film Magazine: Two magazines, one each for supply and take-up, for exclusive use with Film Chamber FN-100.

Film Loading: Film loaded into Film Magazine FN-100 using Film Loader 250 in a darkroom.

Maximum Capacity: 100 frames of 35mm roll film.

Film Advance: Electromotive film advance via motor drive with a provision for synchronous film take-up.

Automatic Film Stop: When last frame passes over guide roller at which time LED warning lamp of motor drive lights up.

Automatic Safety Circuit: When the shutter button is pressed, the film chamber will not operate and the motor drive's warning lamp will light up in the following cases:

- 1) When there is no film in the film chamber or the film has run out;
- 2) When there is film loaded and the OPEN/CLOSE knob on the take-up side is at "OPEN."

Frame Counter: Manually set, reverse-counting type.

Film Magazine Removal: Via two eject levers, one inside each magazine chamber.

Shutter Release: Four shutter buttons (one of film chamber, two of motor drive plus camera's) are available, each with a release lock.

Back Cover Interlock: Back locked with both OPEN/CLOSE knobs at "CLOSE" or OPEN/CLOSE knob on magazine supply side at "OPEN."

Dimensions: 258.8 (W) × 108.5 (H) × 72.3 (D) mm (10-3/16 × 4-1/4 × 2-7/8 inches)

Weight: 641g (22-5/8 ozs.)

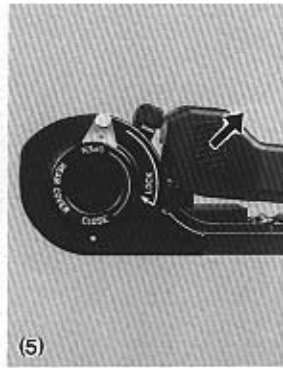
Subject to change without notice.

Attaching the Film Chamber

Attach the AE Motor Drive FN to the camera before mounting the film chamber. If the film chamber is mounted first, the motor drive cannot be attached. For procedures on attaching the motor drive, please refer to its instruction manual.

1. Remove the direct contact cap from the motor drive (1) and screw it into the socket on the bottom of the take-up side of the film chamber (2).
2. Remove the cap from the camera's PC socket (3).

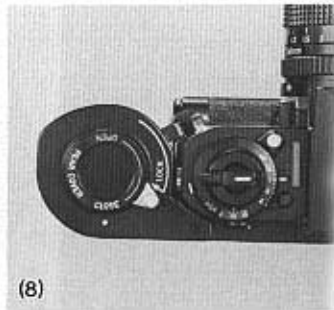
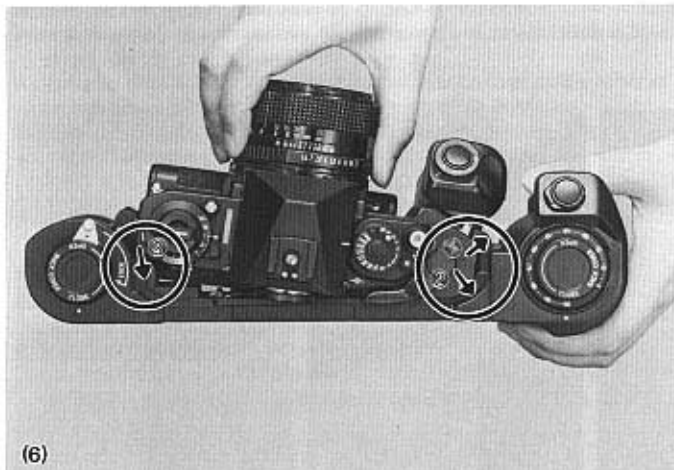
3. First make sure there is no film loaded in the camera. Then open the camera back and, pushing down the hinge release pin, swing the back's upper end outward and pull out the lower end (4).
4. Pull the film chamber's clamp lever in the opposite direction of the arrow so its red dot can be seen. Then turn it counterclockwise; this will swing the movable clamp outward. To remove the dust cover, grasp the fingerrips on both sides and lift it off (5).



5. Place the film chamber so that its pressure plate is facing up. Grasp the lens and, aligning those points indicated by arrows, lower the camera/motor drive until the side of the camera fits under the fixed clamp (6). Make sure that the top right-hand corner of the camera and the curved section of the film chamber are flush (7). Then lower the other side until it slides in place and the camera is fully seated. Finally, turn the clamp lever in the direction of the arrow and push it in to lock it (8).

Notes:

1. Make sure the camera's neckstrap rings do not lie between the camera and the film chamber.
2. It is not necessary to press the motor drive's counter reset button before attaching the film chamber.

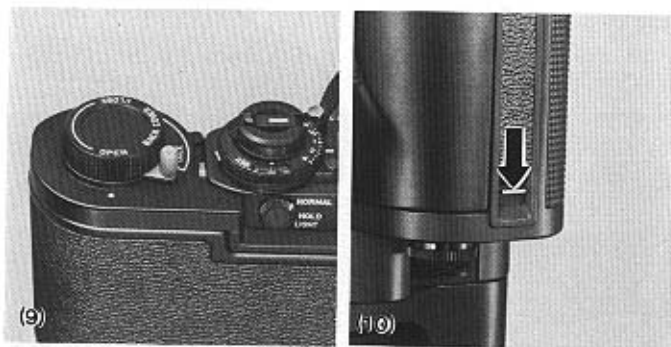


Loading the Film Magazine

1. Turn the two OPEN/CLOSE knobs on top of the film chamber until "OPEN" is aligned with the corresponding white indices (9).

Note: These knobs will turn only in the white-lined area between "OPEN" and "CLOSE."

2. To unlock the back cover, slide down the release latch (10). Note that the back cover is not hinged; simply lift it off the film chamber.
3. Pull down both magazine attachment knobs (11).
4. Insert the loaded magazine into the supply chamber, aligning the white index on the bottom of the magazine with the corres-

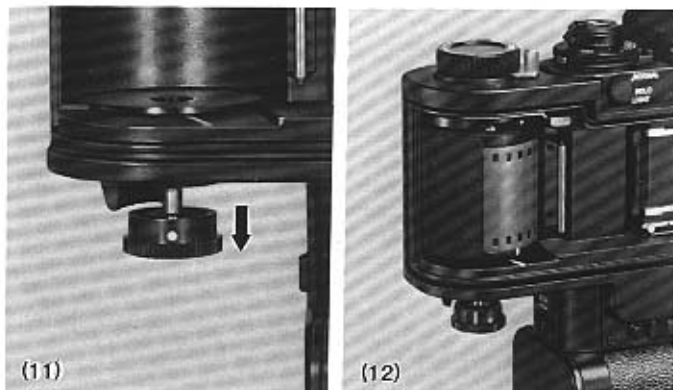


ponding index inside the chamber. Turn the magazine back and forth slightly until it drops down and locks in place (12).

CAUTION:

Do not accidentally press the rounded release button on top of the film magazine during loading.

5. Return the supply magazine attachment knob to its former position. If it does not return fully, turn it counterclockwise slightly while pushing it in.
6. Following the same procedure above, load the empty magazine in the take-up chamber and push up its attachment knob.



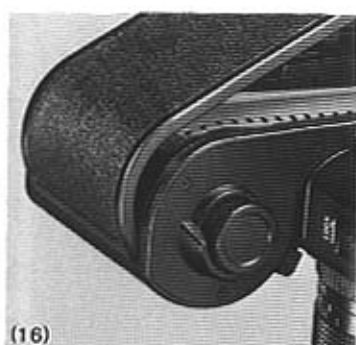
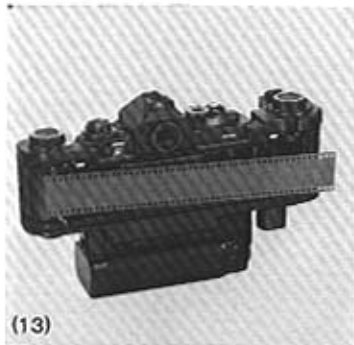
CAUTION:

Do not turn the OPEN/CLOSE knob on the film supply side to "CLOSE" prior to replacing the back cover or the film will be exposed to light.

7. Pull about 25cm (10 in.) of film from the supply magazine (13). Cut the end of the film so it is square.
8. Turn the OPEN/CLOSE knob on the take-up side to "CLOSE"; the cover inside the magazine will slide open (14).
9. Insert the film leader into one of the slots of the take-up spool. Turn the take-up attachment knob forward (clockwise) until all the film slack is taken up (15).
Make sure the sprocket teeth engage the film perforations.

Then close the magazine by turning the OPEN/CLOSE knob on the take-up side to "OPEN."

10. To replace the back cover, first insert its end (supply chamber side) into the corresponding groove on the film chamber (16). Then lower the back and, with your thumb on the grip, press down on the take-up side; the back will lock in place.
11. Turn both OPEN/CLOSE knobs to "CLOSE."



Shooting

Lift up and turn the motor drive's mode selector to "S" (17). Then, using any of the four shutter buttons, advance six frames of film.

Turn the frame counter of the film chamber so that the number of frames remaining in the supply magazine aligns with the white index. If, for example, there are 100 frames remaining, turn the counter to "100" (18).

Any of the shutter buttons can be used to release the shutter provided the "A" on its lock lever is aligned with the corresponding index.

Notes:

1. If the initial setting of the frame counter is changed during shooting, the number of remaining frames indicated will not be correct.



2. Multiple exposures cannot be made with the film chamber attached.

Precautions:

1. If you press the shutter button when the OPEN/CLOSE knob on the take-up side is set to "OPEN," the motor drive will not function and its warning lamp will light up due to the built-in safety circuit. In this case, turn the knob to "CLOSE," turn OFF the mode selector, then reset it to "S," "L" or "H."
2. When there is no film in the film chamber, or if the film has run out, the motor drive's warning lamp will light up when you press the shutter button. To extinguish the lamp, turn the mode selector OFF, then back ON.

Unloading the Film Magazine

When the last frame has been exposed and the end of the film passes over the guide roller, film advance stops automatically and the warning lamp of the motor drive lights up (19). Turn OFF the mode selector when this occurs. Otherwise, the warning lamp will remain on and drain the batteries.

1. Turn the OPEN/CLOSE knobs to "OPEN."
2. Slide down the release latch and remove the back cover.
3. Pull down the take-up magazine attachment knob. Then pull the eject lever outward to remove the magazine (20).

Note: Film advance does not stop automatically when the counter reaches "0."



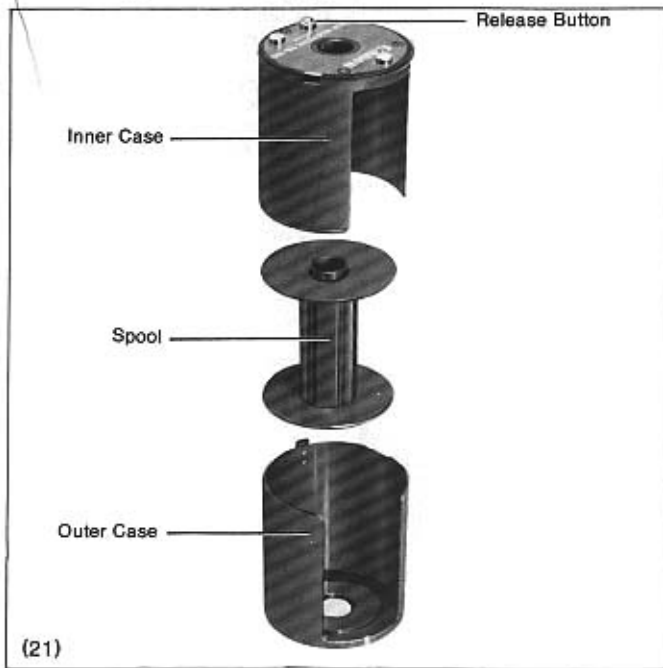
Removing the Film Chamber

Remove the film chamber before dismantling the motor drive. To do this, simply reverse the procedure you used to attach it.

Before removing a loaded film chamber, always advance four frames and then turn the OPEN/CLOSE knobs to "OPEN." After reattaching the loaded film chamber, take six blank frames before you shoot again.

To protect the pressure plate and guide rollers when the film chamber is not in use, reattach the dust cover. To do this, insert the end of the cover without fingergrrips in the groove of the film chamber, and slide it under the fixed clamp. Then push down the other end and, making sure the cover is aligned in the groove, turn the clamp lever in the direction of the arrow and push it in to lock it.

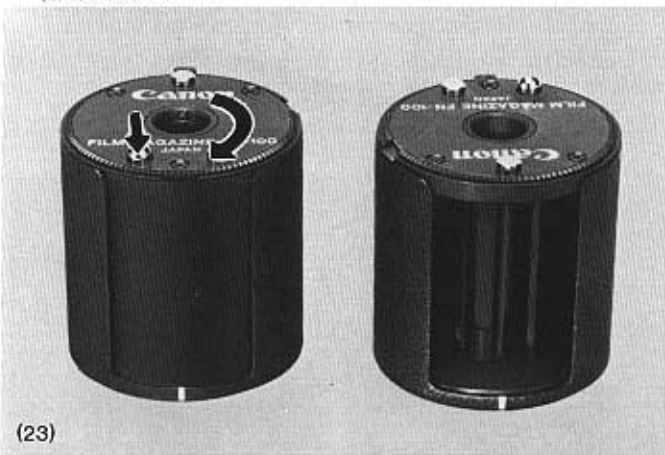
Film Magazine FN-100



The Film Magazine FN-100 consists of the inner and outer cases and the spool shaft (21). The Film Loader 250 (22) is used to load the magazine with the desired number of frames from a roll of bulk film. Maximum capacity of the magazine is 100 frames, not including the extra frames (approximately ten) needed to prepare the film chamber for shooting.



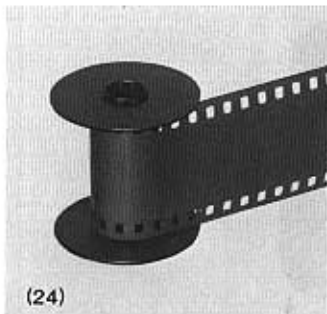
1. Depressing the rounded release button on top of the inner case, turn the inner case until its slot is aligned with the tab on the outer case (23). The inner case may now be lifted out (21).
2. Use the Film Loader 250 to load the bulk film on the spool. For film loading, insert the end of the film into one of the slots of the spool and wind the film with the emulsion side in (24).
3. To reassemble the magazine, follow the reverse procedure. After the inner case is placed in the outer one, rotate the inner case clockwise until it locks. Do not turn the inner case counterclockwise.



Notes:

1. Film loading and unloading is a darkroom procedure. It is recommended, however, that you become thoroughly familiar with the procedure in regular light before attempting it in a darkroom.
2. Film Magazine FN-100 can be used only with the Film Chamber FN-100.

For further details, please refer to the instructions of the Film Loader 250.



The accessories listed below cannot be used, or their use is limited, with the Film Chamber FN-100.

Accessories that cannot be used:

- Cord-type electronic flash units which connect to the camera via the PC socket
- Camera holders (except Camera Holder F4)
- Focusing Rail

Accessories whose use is limited:

- Early TS 35mm f/2.8 lenses*
- Early Auto Bellows*

* These accessories can be modified for use with the Film Chamber FN-100. For details, please contact the nearest Canon authorized service facility.

Canon

CANON INC.

3-1, Nishi-Shinjuku 2-chome, Shinjuku-ku, Tokyo 160, Japan
Mailing address: P.O. Box 5050, Dai-ichi Seimei Building, Tokyo 160, Japan

USA — **CANON U.S.A., INC. HEAD OFFICE**
One Canon Plaza, Lake Success, Long Island, N.Y. 11042, U.S.A.

CANON U.S.A., INC. MANHATTAN SERVICE STATION
600 Third Avenue, New York, N.Y. 10016, U.S.A.

CANON U.S.A., INC. ATLANTA OFFICE
8580 Peachtree Industrial Blvd., Norcross, Georgia 30071, U.S.A.

CANON U.S.A., INC. CHICAGO OFFICE
140 Industrial Drive, Elmhurst, Illinois 60126 U.S.A.

CANON U.S.A., INC. LOS ANGELES OFFICE
123 Paulsen Avenue East, Costa Mesa, California 92626, U.S.A.

CANON U.S.A., INC. LOS ANGELES SERVICE STATION
3521 Washie Blvd., Los Angeles, California 90010, U.S.A.

CANON U.S.A., INC. SAN FRANCISCO SERVICE STATION
776 Market Street, San Francisco, California 94102, U.S.A.

CANON U.S.A., INC. HAWAII OFFICE
Bldg. 0-2, 1050 Ala Moana Blvd., Honolulu, Hawaii 96814, U.S.A.

CANADA — **CANON OPTICS & BUSINESS MACHINES CANADA, LTD. HEAD OFFICE**

3245 American Drive, Mississauga, Ontario L4V 1N4, Canada

CANON OPTICS & BUSINESS MACHINES CANADA, LTD. MONTREAL SERVICE CENTRE

6959 route transcanadienne Bureau 117, St. Laurent, Quebec H4T 1V0, Canada

CANON OPTICS & BUSINESS MACHINES CANADA, LTD. CALGARY OFFICE

2525, 16th Street, N.E. Calgary, Alberta T2E 7K7, Canada

CANON OPTICS & BUSINESS MACHINES CANADA, LTD. EDMONTON SERVICE CENTER

9725-95 St., Edmonton, Alberta T6E 5J6, Canada

EUROPE, AFRICA & MIDDLE EAST — **CANON AMSTERDAM NV**

P.O. Box 7907, 1008 AC Amsterdam, The Netherlands

CANON AMSTERDAM NV CAMERA SERVICE CENTER

Distribution Center, Lemmerbergweg 31, P.O. Box 12814
1100 AV Amsterdam, The Netherlands

CENTRAL & SOUTH AMERICA — **CANON LATIN AMERICA, INC. SALES DEPARTMENT**

P.O. Box 7022, Panama 8, Rep. of Panama

CANON LATIN AMERICA, INC. REPAIR SERVICE CENTER

P.O. Box 2019, Colon Free Zone, Rep. of Panama

SOUTHEAST ASIA — **CANON HONGKONG TRADING CO., LTD.**

Golden Bear Industrial Centre, 7/F., 66-62 Choi Wan Kok Street,
Tseun Wan, New Territories, Kowloon, Hong Kong

CANON SINGAPORE PTE. LTD.
Unit 818, Delta House 2, Alexandra Road, Singapore 0215

CANON AUSTRALIA PTY. LTD.
22 Lewis Road, Artarmon, Sydney 2064, Australia

キヤノン株式会社

キヤノン販売株式会社

〒108 東京都港区三田3-11-79

カメラ雑誌室 (03) 456-9353

サービスステーション

| | |
|-----|---|
| 札幌 | (011) 231-1313 |
| 青森 | (017) 75-1666 |
| 盛岡 | (020-21) 盛岡市上堂3-2-15 (工藤ビル) (0196) 46-8710 |
| 仙台 | (993) 仙台市一番町1-1-30 (よまほ生命仙台ビル6階) (0272) 66-4151-7 |
| 郡山 | (963) 福島県郡山市開成2-38-13 (0249) 23-5618 |
| 新潟 | (950) 新潟市東大通1-4-1 (マルタケビル7階) (0252) 43-2111 |
| 東京 | (160) 新宿区西新宿1-24-1 (西新宿第一ビル) (03) 348-4121 (192) 八王子市八幡町11-2 (八王子繊維貿易館) (0426) 25-7511 |
| 横浜 | (221) 横浜市神奈川区鶴屋町3-30-4 (安田生命横浜西口ビル) (045) 317-0211 |
| 千葉 | (280) 千葉市旭町77-6 (0472) 24-1551 |
| 大宮 | (330) 大宮市坂本町4-218 (共栄ビル6階) (0486) 41-9122 |
| 静岡 | (470) 静岡市東区2-7-2 (静栄会館1階) (0542) 55-2241 |
| 名古屋 | (450) 名古屋市中村区名駅3-21-7 (二文ビル) (052) 563-5822 |
| 大阪 | (530) 大阪市北区梅田1-8-17 (第一生命ビル) (06) 341-3335 |
| 京都 | (664) 京都市中京区神田通河原町東入ル (東邦生命ビル5階) (075) 241-0216 |
| 金沢 | (760) 金沢市尾張町1-11-14 (住友生命ビル2階) (0762) 32-1711 |
| 松本 | (260) 高松市基町3-3-17 (第一信濃ビル1階) (0670) 33-2933 |
| 岡山 | (730) 岡山市中山下1-5-40 (新岡山ビル5階) (0862) 22-8228 |
| 広島 | (730) 広島市中区小町2-8-30 (第二有楽ビル4階) (0822) 44-4615 |
| 宇都宮 | (683) 鳥取県米子市加茂町2-8-2 (前田ビル) (0859) 38-6731 |
| 福岡 | (812) 福岡市博多区博多駅前4-20-23 (セントラルビル1階) (092) 411-4172 |
| 大分 | (870) 大分市長湯町2-12-4 (シンサントビル) (0975) 37-4118 |
| 鹿児島 | (892) 鹿児島市白土日町3-22 (住友生命鹿児島ビル) (0992) 24-3141 |
| 沖縄 | (900) 那覇市泊1-2-2 (0988) 67-2106 |

サービスセンター

| | |
|----|--------------------------------------|
| 東京 | (108) 東京都港区港南2-13-25 (03) 450-2731 |
| 大阪 | (540) 大阪市東区森の宮中央2-10-9 (06) 941-1076 |